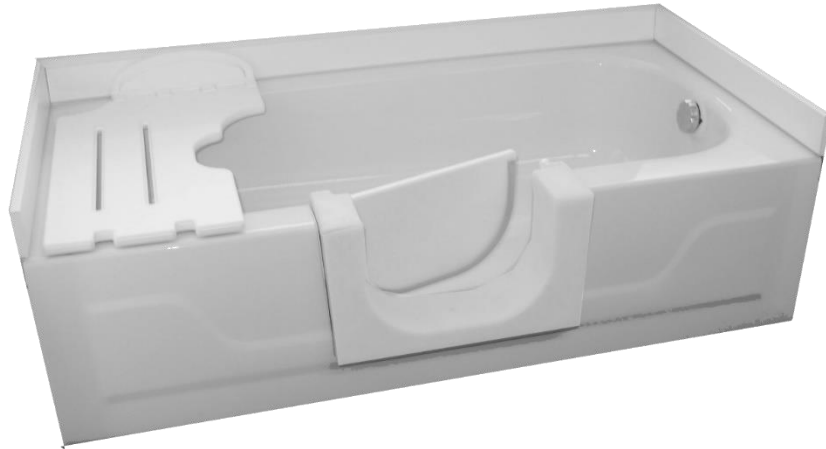
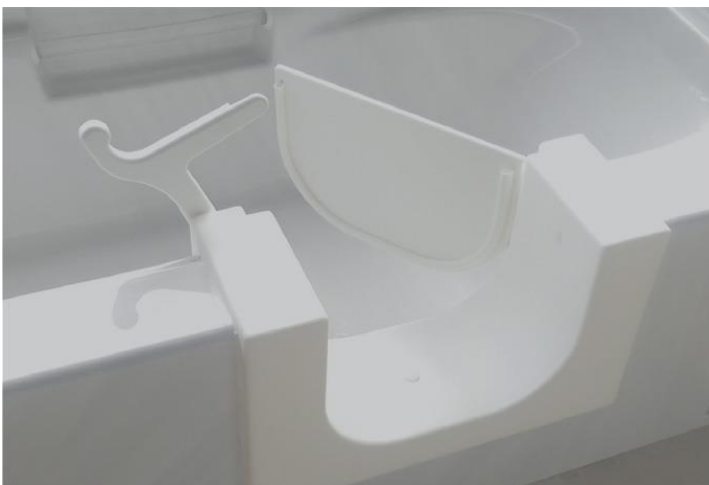


THE CONVERSION KIT



Safety Bath is pleased to also offer three products that can be used to make your existing bathtub accessible.

THE DOOR KIT



Safety Bath's Door Kit was designed to give users an accessible bathing experience without the need to replace their existing bathtub.

The Door Kit will provide the user with years of bathing without the need to lift their legs over a high bathtub ledge.

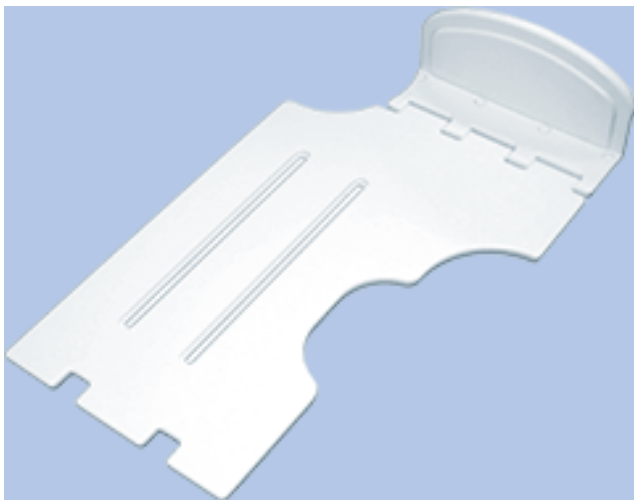
THE STEP-THRU KIT



Safety Bath's Step-Thru Kit was designed to convert their bathtub into a step-in shower without having the cost and mess of replacing the tub with a shower.

The Step-Thru Kit reduces the step-in height allowing users easier and safer access to their shower.

THE SAFETY SEAT



Safety Bath's Safety Seat is a transfer bench that is fastened to the wall and hinges out of the way and latches to the wall when not needed. So, you do not need to find somewhere to store it.

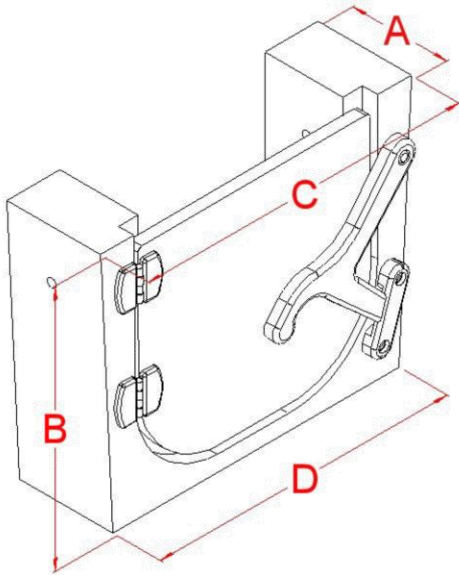
The Seat is constructed of high density polyethylene. It has the capacity to support 250 lbs.

1-877-826-6666

www.safetybathtubs.com

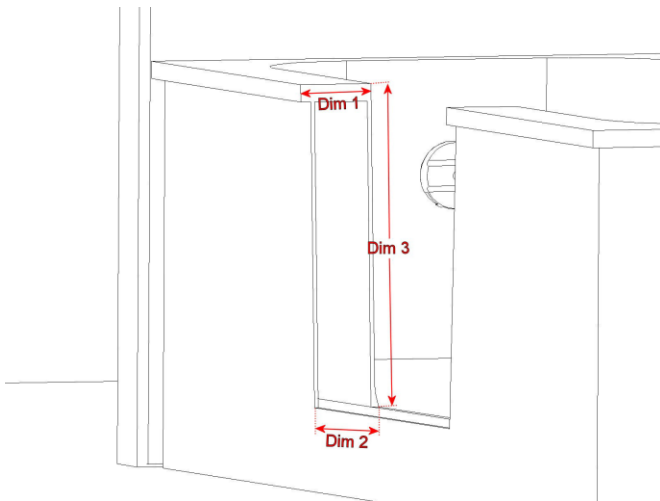
KIT INSERT SIZES

Safety Bath offers its Door Insert Kits in three sizes to fit virtually every standard bathtub



Door Kit	A	B	C	D
8x12	8"	12"	20"	20"
8x16	8"	16"	20"	20"
10x14	10"	14"	20"	20"

TUB MEASUREMENT STEPS



Dim 1 - Section width at widest point of bathtub wall.

Dim 2 - Section width of bathtub wall where bottom of Door Insert Kit will rest.

Dim 3 - Height of bathtub wall where insert will be placed. *Note: that the door insert should not extend below the start of the curve at the bottom of the inside of the tub.*

1-877-826-6666

www.safetybathtubs.com

